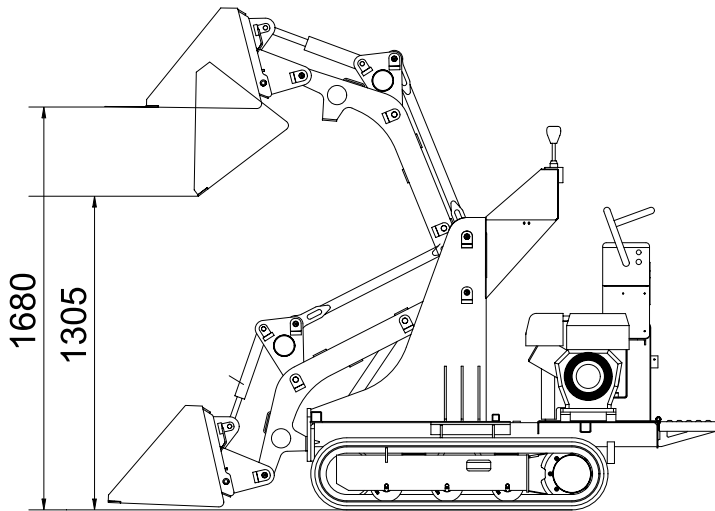




MOUNTABLE KITS ON RHINETTA POWER

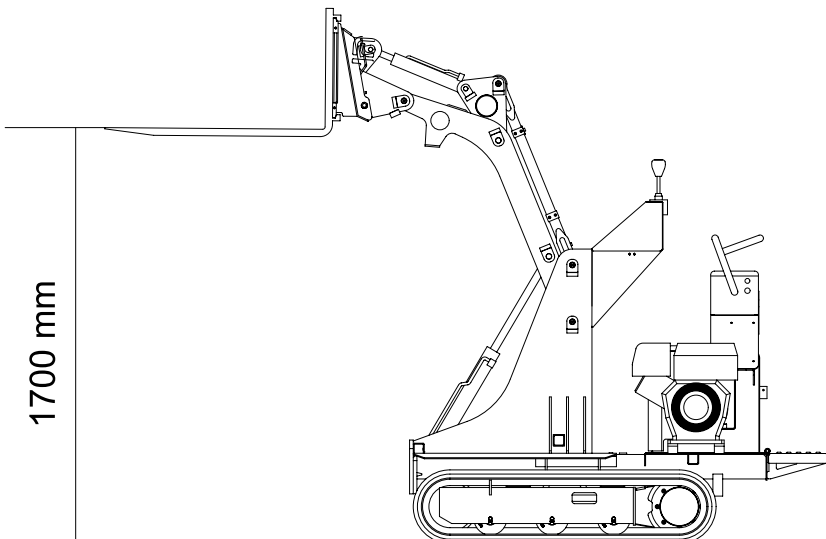
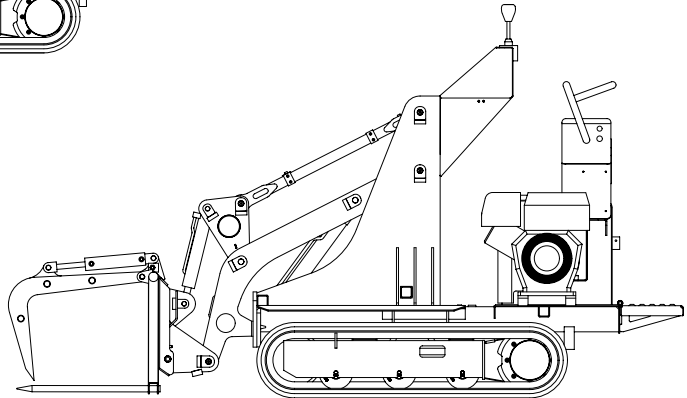
Rhinetta power applicable on the following models:

- HS 1150
- HS 1200E



Accessories:
SHOVEL KIT
Shovel's capacity .. 0.12 m³
Lifting capacity250 kg

Accessories:
AGRICULTURAL PLIERS KIT
Width of forks 700 mm
Lifting capacity250 kg



Accessories:
FORKLIFT KIT
Length of forks800 mm
Max width of forks ..700 mm
Lifting capacity250 kg

DSC04420607

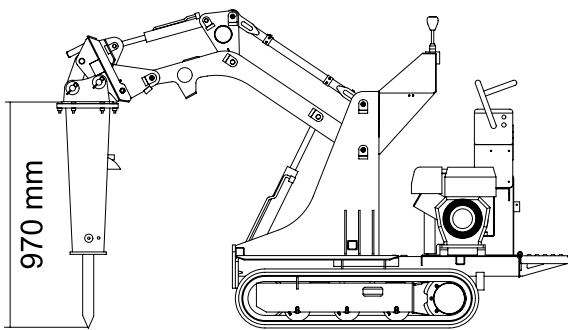


MOUNTABLE KITS ON RHINETTA POWER

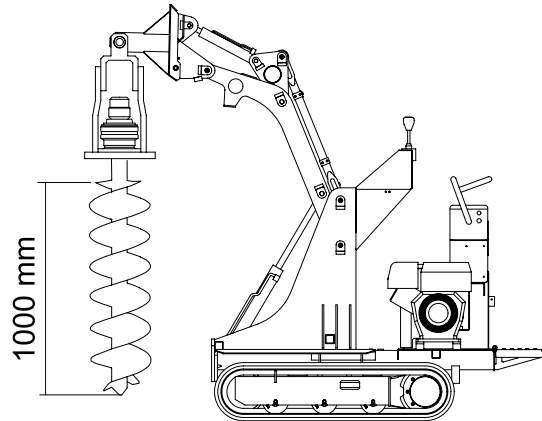


Rhinetta power applicable on the following models:

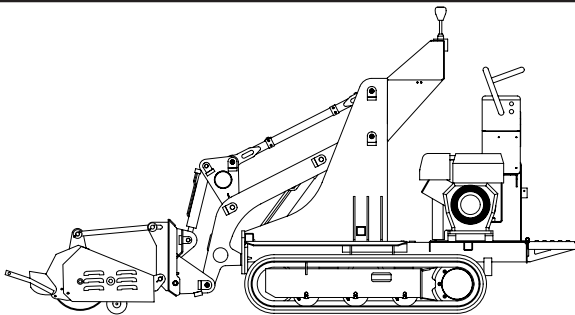
- HS 1150
- HS 1200E



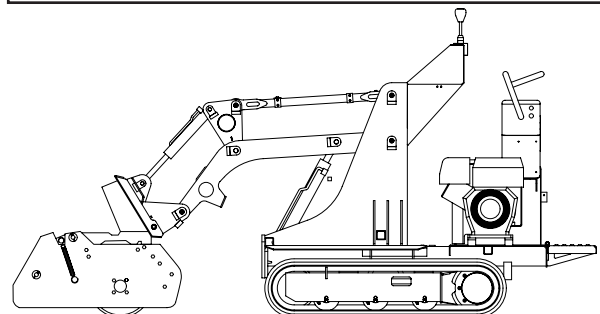
Accessories:
DEMOLITION HAMMER
 Pressure150 bar
 Frequency of max hits800/1200
 Energy max..... 230 Jaule
 Diameter48 mm
 Weight100 kg



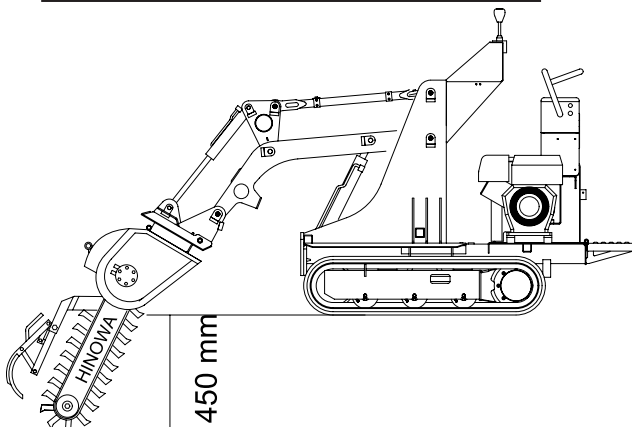
Accessories:
AUGER MOTOR
 Pressure140 bar
 Rotation speed50-150 r/pm
 Diameter max.50 mm
 Diameter available:
 Ø 100 - Ø 200 - Ø 300 - Ø 400 - Ø 500



Accessories:
GRASS SHREDDER
 Pressure140 bar
 Max width800 mm



Accessories:
MILLER KIT
 Pressure140 bar
 Max width.....800-1400 mm
 Rotation speed150-170 r/pm
 Max depth50-80 mm
 Liter capacity.....34 l/min



Accessories:
TRENCHER KIT
 Pressure140 bar
 Digging depth750 mm
 Digging width130 mm
 with blades or with diamont picks
 Hour production30/60 m/h

DSC04420607